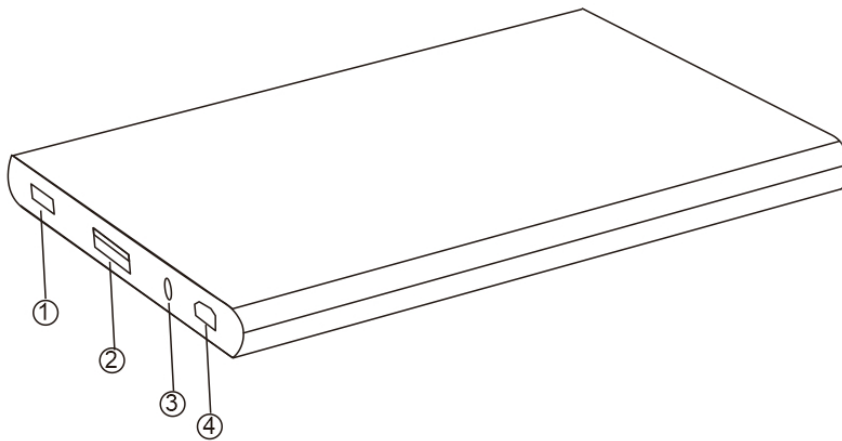


# Avido™

## **Avido 4000mAh (Lightning Input) Power Bank**

Thank you and congratulations on your purchase of the Avido™ 4000mAh Backup Battery. To get the most of your new product, please read these instructions before use. Enjoy!

### Product Overview



1. ON switch and Power check.
2. USB power out
3. LED status indicators/ current charge level
4. Lightning input port

### **Charging the Power bank**

1. Using a Lightning Cable, connect the Lightning connector to the Power Bank, and the Standard USB connector to a USB Power Source, such as a laptop computer or smartphone USB charger.
2. The LED's will illuminate indicating the current charge status. While charging the LED light will blink indicating the battery's current capacity.
3. When fully charged, all three LED lights will illuminate.

## Charging Your Digital Devices

1. To Power and Charge your device, connect the Standard USB connector to the Power Bank, and other end to your device.
2. Press the power bank's ON switch.
3. When the LED indicator is active, your device is now charging. The LED will continue to illuminate throughout the charge indicating the power bank's current battery level.
4. To turn off the power bank, simply disconnect the USB cable or device, and the unit will automatically power down.

## Specifications

Compatibility: Smartphones, Tablets, iPhone, iPad and other digital products  
Over charge, over discharge, over current, short-circuit & temperature protection

Input voltage: DC 5V

Output: DC 5V/ 2.1A(Max)

Input: DC 5V/ 1A(Max)

Capacity: 4000mah

Cell type: Lithium Polymer

Cycle life: 500 times

Product weight: 81.5 g

DC Charge: 3 to 4 hours

Product dimension: L92 x W64 x T 7mm

Operating temperature: -10C~+60C

Country of Manufacture: China

## Safety Instructions

Improper use of this product may result in product damage, excess heat, toxic fumes, fire or explosions, for which damages you ("Purchaser"), or ("Manufacturer") are responsible.

\* Do not store battery in high a temperature environment, including intense sunlight heat.

\* Do not place battery in fire or other excessively hot environment.

Be cautious of excessive drops bumps, abrasions or other impacts to this battery.

\* If there is any damage to the battery such as dents, punctures, tears, deformities or corrosion, due to any cause, discontinue use and contact manufacturer or dispose of it in an appropriate manner at your local battery

recycling center.

\* Do not disassemble this battery or attempt to repair or modify it in any manner.

\* Do not expose this battery to moisture or submerge it in liquid. Keep battery dry at all times.

\* Do not attempt to charge the battery using any method, apparatus or connection other than the devices' USB connector.

\* Do not attempt to replace any part of this battery.

\* For extended storage, first charge your battery for one hour.

\* Never dispose of batteries in the garbage.

\* Disposal of batteries in the garbage is unlawful. Always take used batteries to your local battery-recycling center.

## **Warranty**

Avido warrants this product to be free from defects in materials and workmanship for 1-year. If your Avido accessory is found to be defective within that time frame, we will promptly repair or replace it. This warranty does not cover accidental damage, wear and tear, or consequential or incidental loss. If you are in need of warranty support, please email [info@avidopower.com](mailto:info@avidopower.com).

## **Customer Support**

Please visit our website [www.avidopower.com](http://www.avidopower.com) for additional information and support.

The logo for Avido, featuring the word "Avido" in a stylized, bold, serif font. The letter "o" is replaced by a power symbol (a circle with a vertical line through it). A small trademark symbol (TM) is located above the top right of the "o".

Avido, LLC

Design by Kevin Lance